

SODECO™ BNA56/54

Banknote validator

with stacker and removable security cash-box

Application

For high volume of transactions per day, for operators with separate cash-box collection and revenue centre

- Ticket vending machine
- Stationary and mobile ticketing application
- Car park pay automate
- Petrol pay terminal
- Dispensing and revaluating pre-paid cards

Features

- 6, 13, 30 or 90 banknote types with 4-way insertion
- Best banknote acceptance at first insertion
- Fast transaction time: 3 seconds between two notes, including stacking
- Quantum leap in security
- New banknotes programmable through network
- Unrivalled reliability, gives lowest cost of ownership
- Cash-box BNA541 for up to 1000 banknotes or BNA542 for up to 2000 banknotes
- Simple to service and easy to maintain

BNA56



BNA541

SODECO™ BNA500 series. Ready for the future, right now.

mei™

Range Features

These features are common to the full SODECO™ BNA500 series:

Validator

- Universal inlet with LED indicator, anti-card device, made in robust metal alloy with ergonomic design
- Exceptionally high first acceptance – 98% – with outstanding security
- Works in harsh operating environment (0° to +60°C). Inlet to as low as -20°C (dry), optional anti-ice heating
- Compact, space efficient size
- Same 3 fixing points for all BNA 500 products
- Additional 2 fixing points with BNA 542 configuration
- Full control of the banknote transport ensures low jam rate
- Controlled inlet and outlet flaps defeat manipulation
- Validator opens easily without tools for easy cleaning access
- On-site banknote configuration with a PC or via a network

Removable security cash-box

- Banknotes perfectly stacked inside the cash-box
- Sturdy construction, fast and secure cash-box interchange, electronic identification
- Different keys for cash-box collection and revenue centre
- Locking shutter mechanism with automatic reset, several optical and electronic detectors for cash-box handling and identification

Polycarbonate cash-box for up to 1000 banknotes
BNA 541-1 for front insertion
BNA 541-2 for rear insertion

Stainless steel cash-box for up to 2000 banknotes
BNA 542-1 for front insertion
BNA 542-2 for rear insertion

World-wide service and repair operation

Dimensions

- A: Banknote insertion
 - B: Banknote stacking
 - C: Banknote return
 - D: Open validator
 - E: Automat front panel
 - F: Fixing points M5
 - G: RS 232 & 24 VDC connections
 - K: Key for extraction
 - L: Key for opening
- Cut-outs in the automat door 130 x 130mm

All power and communication connectors are integrated within the overall dimensions

Technical Specification

Front or rear cash-box insertion
BNA 561 for front insertion
BNA 562 for rear insertion

Banknote capacity

National or mixed currencies, in 4 ways
BNA 561-3 handles 6 banknotes
BNA 561-4 handles 13 banknotes
BNA 561-5 handles 30 banknotes
BNA 561-7 handles 90 banknotes

Stacker

Stack each banknote individually in the cash-box

Banknote sets

All the world's major banknote sets can be supported and are continuously updated.

Dimensions of accepted banknotes:

Width 60 to 86mm

Length 95 to 182mm

Power supply

24 VDC +/-15%, 2A (max)

Interfaces

Serial RS 232C

Security protocol DIN 66348

Operating modes

"Easy Mode", "Set-up Mode"

"High Acceptance" or "High Security" mode

Weights

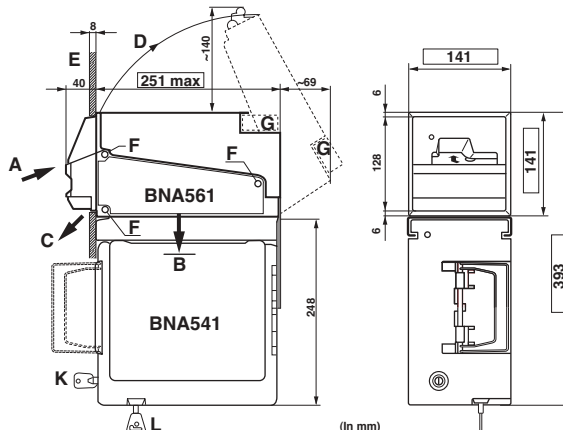
BNA 56	8.1 kg	17.9 lbs
BNA 541 empty	4.3 kg	9.4 lbs
BNA 542 empty	7.2 kg	15.9 lbs

Support tools SODECO™ ST:

MEI programme for monitoring, diagnostics and configuration, based on Windows platform

Options

- Heating inlet 24 V DC, 3A
- Network with SODECO™ SDK for Windows 95/98/NT/2000/XP with TCP/IP protocol



BNA542, add 123mm,
total height 516mm

MEI Manufacturing & Sales:

Manufacturing: UNITED STATES

MEI
1301 Wilson Drive
West Chester, PA 19380
Telephone: 1 610 430 2500
Fax: 1 610 430 2694

UNITED KINGDOM

MEI
Eskdale Road, Winnersh Triangle
Wokingham,
Berkshire RG41 5AQ
Telephone: 44 (0) 118 969 7700
Fax: 44 (0) 118 944 6412

MEXICO

MEI
S. de R.L de C.V
Av. Santa Rosa de Viterbo 10
Parque Industrial Finsa Queretaro
El Marques
Queretaro CP 76246
Telephone: 52 (0) 4238 2000
Fax: 52 (0) 4238 2001

SWITZERLAND

MEI
Ch. Pont-Du-Centenaire 109
Plan-Les-Ouates, P.O. Box 2650
1211 Geneva 2
Telephone: 41 (0) 22 884 0505
Fax: 41 (0) 22 884 0504

Sales:

AUSTRALIA

Telephone: 61 2 973 75390
Fax: 61 2 973 75399

CANADA

Telephone: 1 416 239 2782
Fax: 1 416 239 3322

FRANCE

Telephone: 33 (0)2 38 59 65 34
Fax: 33 (0)2 38 59 68 38

GERMANY

Telephone: 49 (0) 2162 9560
Fax: 49 (0) 2162 41544

ITALY

Telephone: 39 (0) 382 979313
Fax: 39 (0) 382 970790

JAPAN

Telephone: 81 44 712 1315
Fax: 81 44 712 1439

SPAIN

Telephone: 3491 749 7516
Fax: 3491 749 9356

REPRESENTATIVE

633925044G2 Printed in England

The MEI device and Sodeco are registered trademarks of Mars Inc. Information is subject to change without notice. MEI has made every effort to assure that the information in this document is accurate. However, we cannot be held responsible for any errors or omissions.



ISO 9001
Reg. No 11641



<http://www.meiglobal.com>